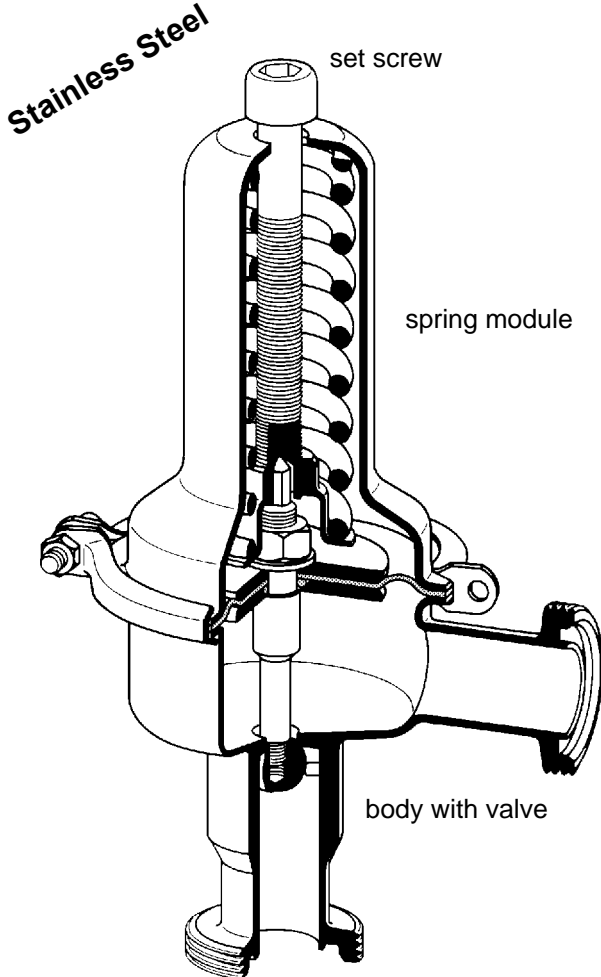


PRESSURE REDUCING VALVE 152



for liquids, gases and steam up to 360 °F
 CIP/SIP-design, for sanitary use
 polished version Ra < 0.25, 0.4, 0.8 or 3.2 µm



Technical Data

Connection	1/2" - 2" Tri-Clamp 1 1/4" is not possible with Tri Clamp other connections on request
Inlet Pressure	up to 116 psi
Outlet Pressure	up to 75 psi in 3 adjusting ranges
Cv-value	2.3 - 6 US gall/min
Tightness	ANSI class III

Description

Mankenberg self acting pressure reducing valves are simple basic regulators that provide precision control and are easy to install and maintain. They control the pressure at the outlet side without use of any external electrical or pneumatic actuators.

Pressure reducing valve 152 is a diaphragm-controlled, spring-loaded proportional regulator used mainly for sanitary applications in the food and beverage industries.. It does not require the use of an external sense line.

These valves are made of deep-drawn stainless steel and feature excellent corrosion resistance. Standard surface roughness is Ra < 3.2 µm. They are virtually pocket-free and designed for use in CIP and SIP systems.

The spring module including the cover, spring, set screw, diaphragm and internals is fastened with 2 screws at the clamp for easy handling. Changing the diaphragm or the complete spring module for another pressure range is very easy and done without special tools or training. The valve remains in place in the line even for maintenance. Adjusting the set pressure does not change the height of the unit.

The spring keeps the valve in full open position when the pipeline is depressurized. Under pressure the medium flows from the inlet through the valve seat to the outlet and acts on the spring module. As the outlet pressure rises above the set pressure, the valve orifice is reduced restricting the flow. As the outlet pressure drops the valve orifice becomes larger increasing flow. The pressure setting is adjusted by turning the set screw to change the spring tension.

OPTIONS

- Polished version for sanitary and high purity use: Down to Ra<0.25µm.
- Stainless steel diaphragm
- For toxic or hazardous applications, use a spring cap with the set screw sealing fitted with a leakage line connection. During installation a leakage line MUST be installed.
- Different materials for gaskets and diaphragms are available for comparability with your product. Please ask Mankenberg if you have a problematic medium.
- Special designs are available to suit your specifications. Please inquire.
- Guidelines for selection, installation and operation (What you should know, Notes on Safety etc.) MUST be followed

Mankenberg reserves the right to change specifications without notice.

Cv-Values [US gall/min.]						
Body Size (DN)	1/2"	3/4"	1"	1 1/4"	1 1/2"	2"
Cv-value	2.3	3.5	4	4.6	5.2	6

Adjusting Ranges [psi]		
4 - 16	12 - 36	15 - 75

Max. Outlet Pressure [psi]			
Adjusting Ranges	4 - 16	12 - 36	15 - 75
Outlet Pressure	36	90	116

Sheet no. DM 152/2.3.011.1 - Issue 18.07.2001

